

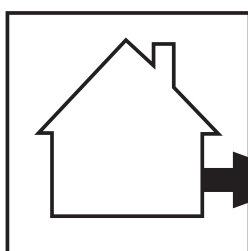


### General

**Dimensions LxWxH :** 11.6cm x 19.0cm x 3.6 cm  
**Height minimum :** 3.6 cm  
**Height maximum :** 3.6cm  
**Dimensions shade LxWxH :**  
**Main material :** Plastic  
**Ceiling rose material :**  
**Color :** Black  
**Style :** Modern  
**Shape :** Rectangle  
**Weight :** 0.25 kg  
**Warranty :** 3 years

### Product specifications

**Dimmable :** No  
**Light direction :** Downlight  
**Adjustable in height :** No  
**Directional :** Not Directional  
**Cable :** No  
**Cable length :**  
**Sensor :** With Motion Sensor & Day/Night Sensor  
**Control :** Sensor control  
**IP-Class :** 44  
**Electric class :** 3  
**Light source including ? :** Yes  
**Lamp socket :** Integrated LED  
**Light source number :** 36PCS LED  
**Power requirements :** Solar Energy  
**Bulb type & maximum wattage :** 3W LED



IP44

IP54

IP65

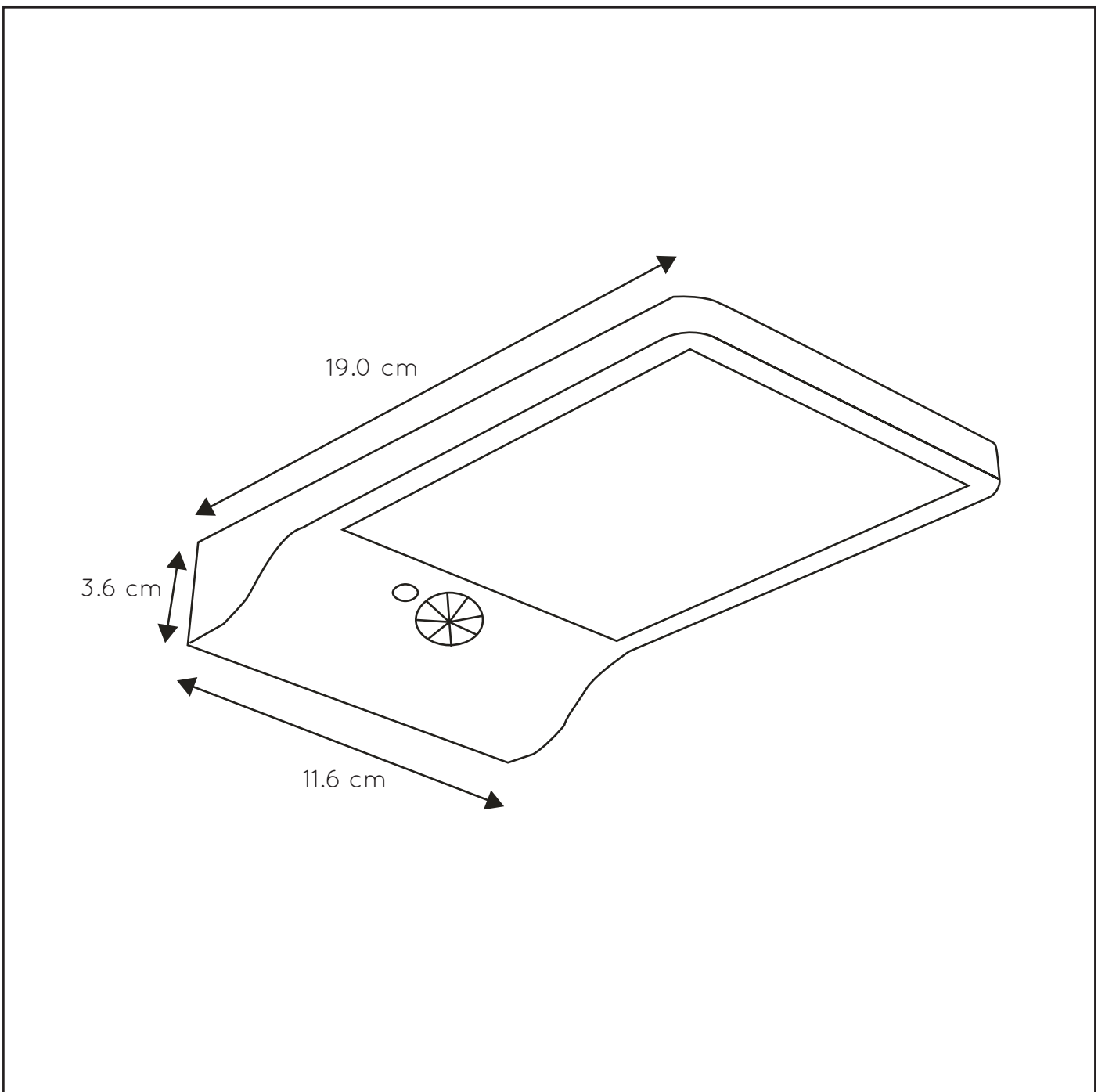
IP67

Explanation of IP numbers for degrees of protection, see safety instruction manual in the box.

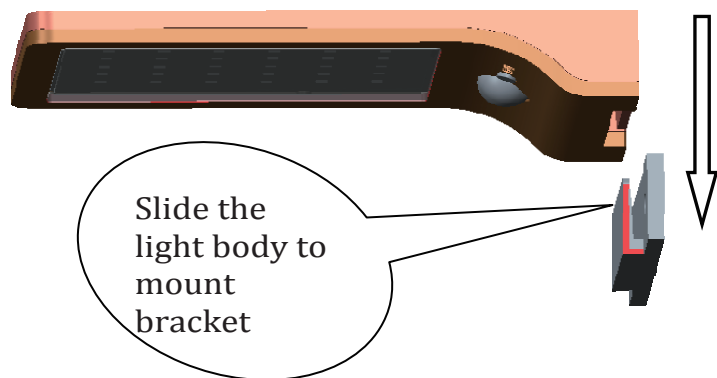
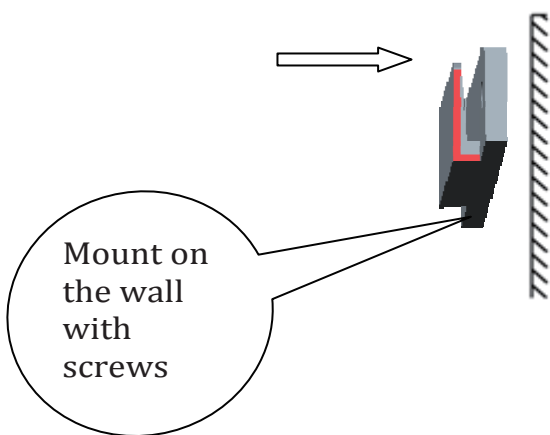
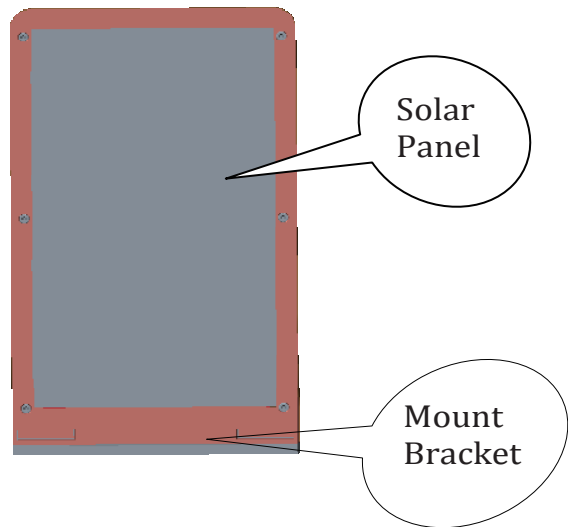
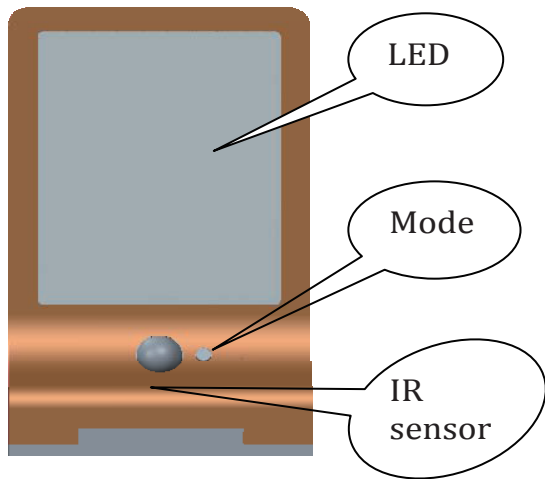
For more specifications of this product please visit  
[www.lucide.com](http://www.lucide.com)

# BASIC SOLAR

Item number : 22862/04/30  
EAN code : 5411212221155



For more specifications, dimensions please visit  
[www.lucide.com](http://www.lucide.com)



## OPERATION

- First time use need press the “Mode” to standby
- In darkness( approx in 10Lux), Light automatic on in low illumination
- Motion movement detected, will be automatic in high illumination . After 25+-5 seconds , automatic back to low illumination
- When light is on, press the “Mode” , the light will off permanent till press again(Light on or off , will not effect the solar charge)

## PRODUCT FEATURES

- Infrared Motion Sensor Light
- Rechargeable Li-ion Battery (3.7v 2000MAH 18650)
- Solar panel: 5.5V 2W 350Mah (Max.)
- Fully Charge :7 hours (Min.)
- Runtime after fully chagred :High Lumen~ 4hours  
Low Lumen~ 20hours
- Sensor Delay Time: 25 +- 5s
- Sensor Distance: Max. 3 meters,
- Sensor angle: 120°
- Lumen Output: High ~380lm (Max.)  
Low ~ 40lm(Max.)